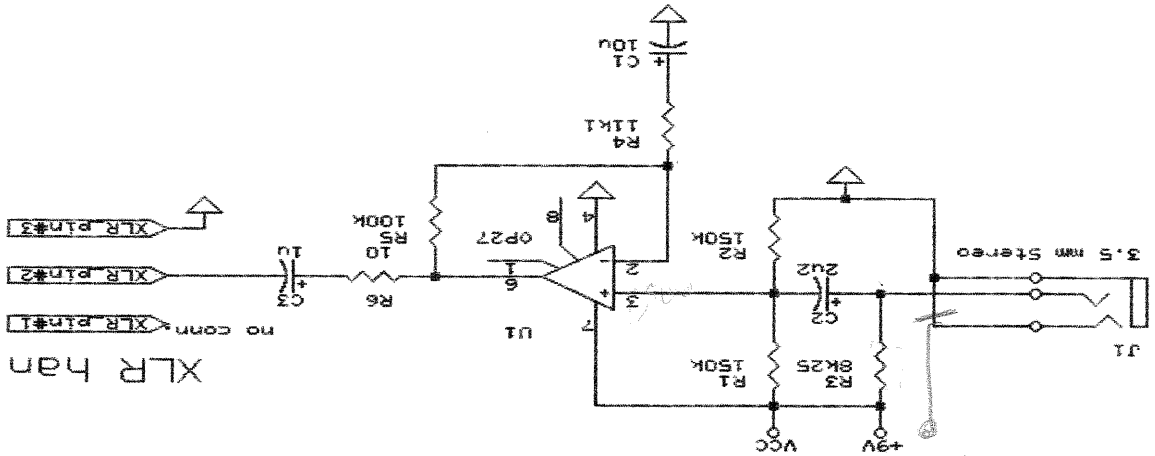
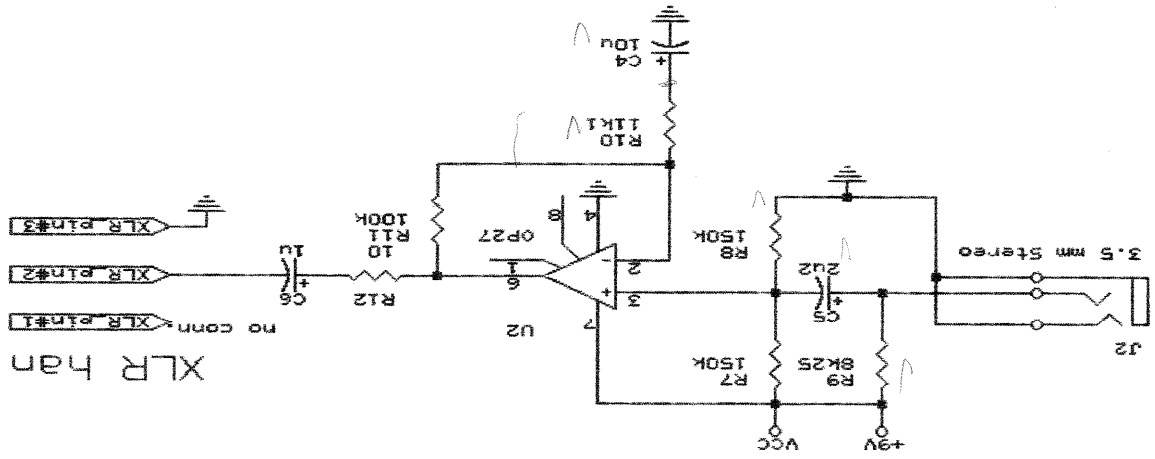


Den er galvanisk adskillelse mellem de to mikrofoner's !!!
 Power - +9V - leveres via NiCd celler.



XLR han

XLR han

Date: November 25, 1991 Sheet 1 of 1	
Title Semnheiser Amplifier	
Size Document Number DK-9220 Raiborg 0	
Institute for Electronic Systems Raiborg University	
REV	A
01	