



Aktieselskabet  
Videbæk Højtalerfabrik

Fabrikation af kvalitetshøjtalere  
Production of Quality Speakers  
Herstellung von Qualitätslautsprechern

Date: February, 1988

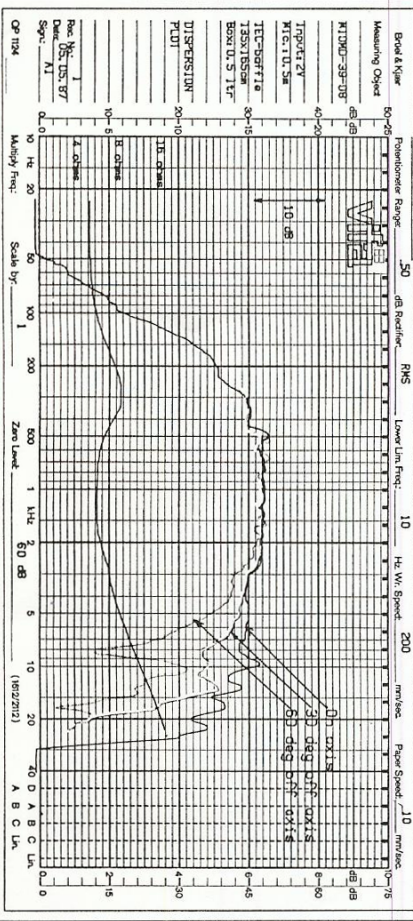
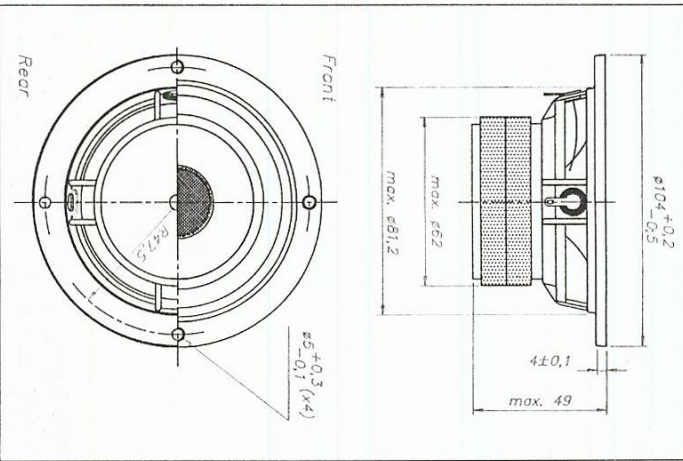
# 4 1/2" MIDRANGE

# M10MD-39-08

### SPECIAL FEATURES:

- MAGNESIUM BASKET
- RUBBER SURROUND - LOW RESONANCE
- DOUBLE MAGNET
- VERY SMOOTH MIDRANGE RESPONSE
- NEUTRAL REPRODUCTION

NOMINAL IMPEDANCE 8 Ω  
 NOMINAL POWER (IEC 268-5) 80 W  
 FREQUENCY RANGE 0.3-8 KHz  
 SENSITIVITY (1W, 1m) 88 dB  
 EFFECTIVE DIAPHRAGM AREA 37 cm<sup>2</sup>  
 VOICE COIL RESISTANCE 5.4 Ω  
 OPERATING POWER 6.3 W  
 VOICE COIL DIAMETER 20 mm  
 VOICE COIL HEIGHT 5.3 mm  
 AIR GAP HEIGHT 4 mm  
 FREE AIR RESONANCE 110 Hz  
 MOVING MASS (incl. air) 2.9 g  
 FORCE FACTOR, B x l 4.1 T/m  
 MAGNET WEIGHT 210 g (7.4 oz)



# M10MD-39-08

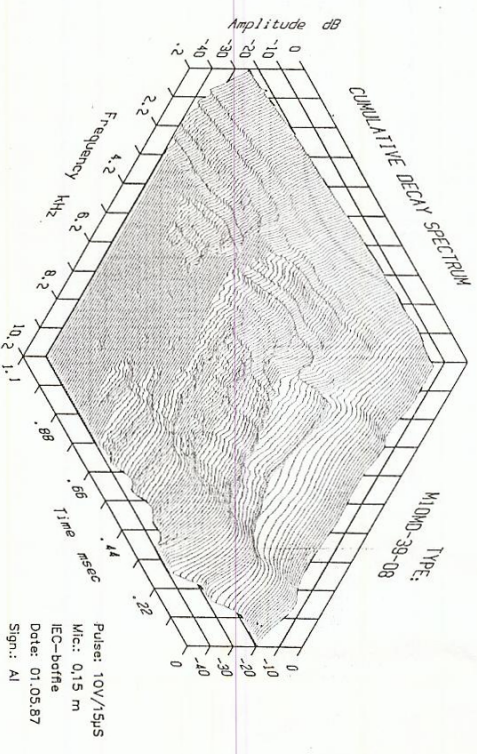
# Applications

Recommended x-over:

Nom. power [W]	Fc [Hz]	L [mH]	C [µF]
80 *	700	2.2	24
60 **	800	none	24

\* In 1 litre box    \*\* First order x-over

It is recommended to use 2<sup>nd</sup> order (12 dB/oct) x-over for M10MD-39-08. The shown 6 dB/oct filter can also be used provided that the box damping is adequate. A chamber or box volume of 0.5-1.5 litre is neccessary (1 litre recommended). The internal damping should be high i.e. the volume should be stuffed with glass wool or similar.



DK 6920 Videbæk • Postbox 39 • Denmark • Telex: 60.654.vifa.dk • Tel.: 97 17 17 22 • Int. tel. +45 97 17 17 22 • Telefax: 97 17 16 96  
 Tjg.sdr.: Viaspeak • Postgno 9 03 79 50 • Akt.s.reg.nr. 30 670 • Bank: A/S Ringkjøbing Bank, Videbæk afd.